

Unimet

Unimet Desk Cases

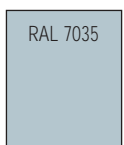
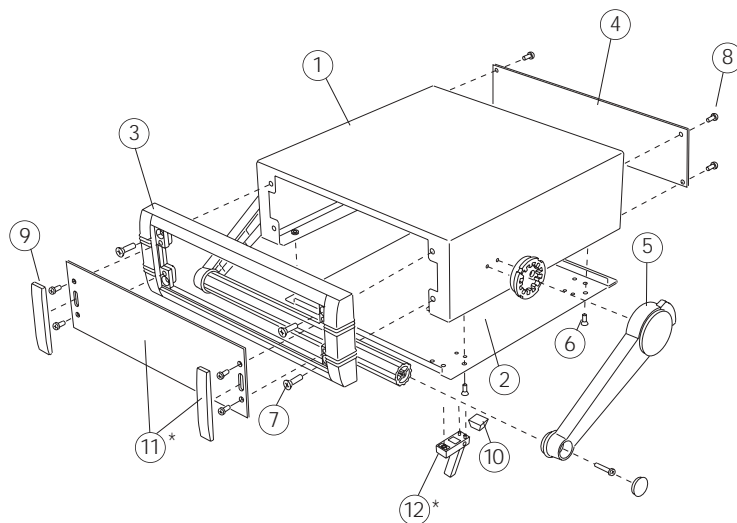
Modern instrument cases for desktop or portable applications. With or without a tilt/swivel carry handle bar. Folded aluminium case body with die-cast front bezel. Base and rear panels are removable. Front panel kit ordered separately.

Unimet Tischgehäuse

Modernes Instrumentengehäuse für Tischanwendungen oder mobilen Einsatz. Mit oder ohne Aufstell-/ Tragebügel. Oberteil gekantet aus Aluminium mit Druckguß-Frontrahmen. Boden- und Rückplatten sind abnehmbar. Frontplatten-Set als Zubehör.

Boîtier de table Unimet

Boîtier moderne pour instruments utilisable pour les applications de table ou portables. Avec ou sans poignée étrier/poignée de transport. Partie supérieure au bord replié, en aluminium avec cadre frontal moulé sous pression. Les plaques inférieure et arrière sont amovibles. Kit de plaque avant en accessoire.



Standard colours
Standardfarben
Coloris standard

Supply	Lieferumfang	Fourniture
① Top cover	Oberteil	Partie supérieure
② Base panel	Bodenplatte	Plaque inférieure
③ Front bezel	Frontrahmen	Cadre frontal
④ Rear panel	Rückplatte	Plaque arrière
⑤ Carry handle bar	Aufstell-/ Tragebügel	Poignée étrier/poignée de transport
⑥ M3 x 8 mm (x4)	M3 x 8 mm (x4)	M3 x 8 mm (x4)
⑦ M4 x 16 mm (x4)	M4 x 16 mm (x4)	M4 x 16 mm (x4)
⑧ M3 x 6 mm (x4)	M3 x 6 mm (x4)	M3 x 6 mm (x4)
⑨ M3 x 8 mm (x4)	M3 x 8 mm (x4)	M3 x 8 mm (x4)
⑩ Rubber foot (x4)	Gummifuß (x4)	Pied de boîtier (x4)
⑪ * Front panel kit	* Frontplatten-Set	* Kit de plaque avant
⑫ * ABS feet	* Gehäusefüße (ABS)	* Pieds de boîtier (ABS)
* Accessories	* Zubehör	* Accessoires

Unimet 1

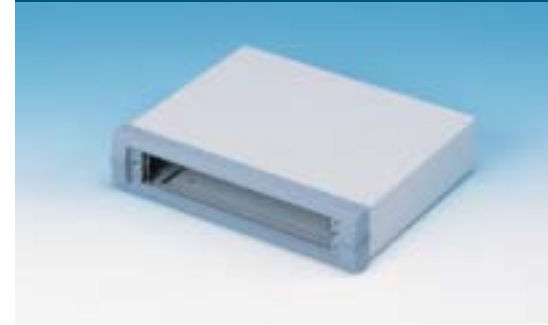
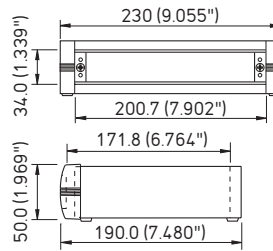
Unimet 1

230mm 190mm 50mm
9.055" 7.480" 1.969"

Part No.

Bestell-Nr./Ref.

M 56 23 005



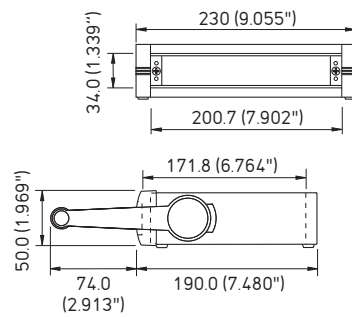
Unimet 1H

230mm 190mm 50mm
9.055" 7.480" 1.969"

Part No.

Bestell-Nr./Ref.

M 56 23 025



Unimet 1H



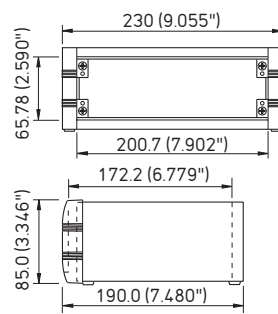
Unimet 2

230mm 190mm 85mm
9.055" 7.480" 3.346"

Part No.

Bestell-Nr./Ref.

M 56 23 105



Unimet 2



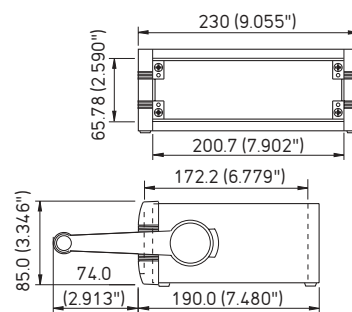
Unimet 2H

230mm 190mm 85mm
9.055" 7.480" 3.346"

Part No.

Bestell-Nr./Ref.

M 56 23 125



Unimet 2H



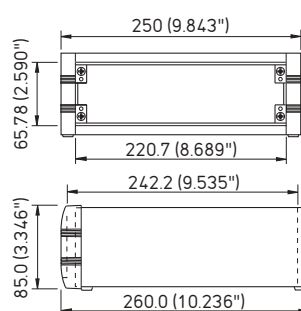
Unimet 3

250mm 260mm 85mm
9.843" 10.236" 3.346"

Part No.

Bestell-Nr./Ref.

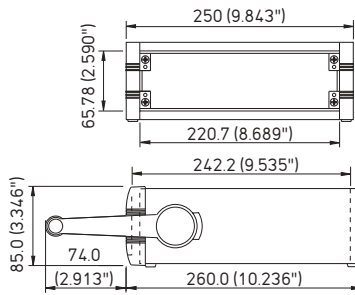
M 56 25 105



Unimet 3



Unimet 3H

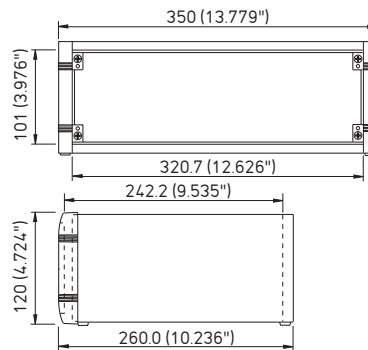
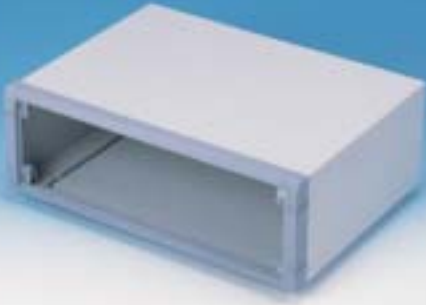


Unimet 3H

250mm 260mm 85mm
9.843" 10.236" 3.346"

Part No.
Bestell-Nr./Réf.
M 56 25 125

Unimet 4

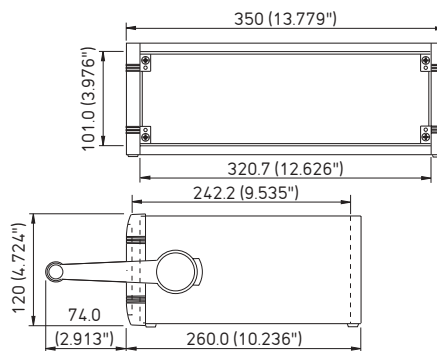


Unimet 4

350mm 260mm 120mm
13.779" 10.236" 4.724"

Part No.
Bestell-Nr./Réf.
M 56 35 205

Unimet 4H

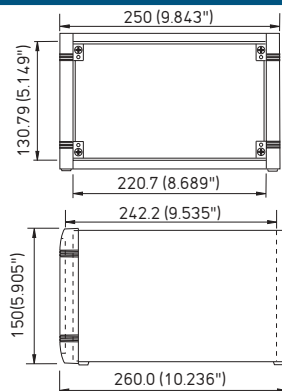


Unimet 4H

350mm 260mm 120mm
13.779" 10.236" 4.724"

Part No.
Bestell-Nr./Réf.
M 56 35 225

Unimet 5

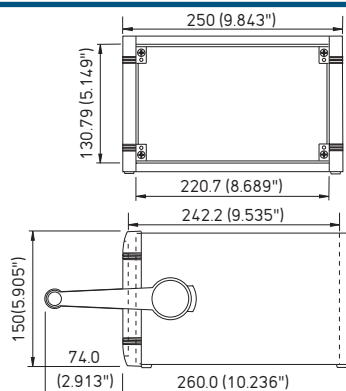


Unimet 5

250mm 260mm 150mm
9.843" 10.236" 5.905"

Part No.
Bestell-Nr./Réf.
M 56 25 305

Unimet 5H



Unimet 5H

250mm 260mm 150mm
9.843" 10.236" 5.905"

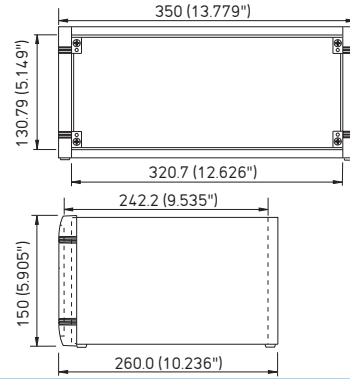
Part No.
Bestell-Nr./Réf.
M 56 25 325

Unimet 6

350mm 260mm 150mm
13.779" 10.236" 5.905"

Part No.

Bestell-Nr./Réf.
M 56 35 305



Unimet 6

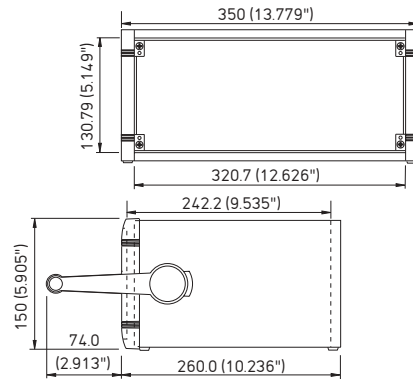


Unimet 6H

350mm 260mm 150mm
13.779" 10.236" 5.905"

Part No.

Bestell-Nr./Réf.
M 56 35 325

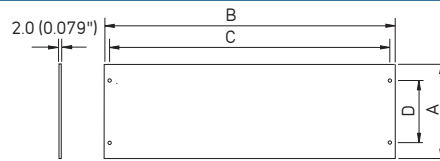


Unimet 6H



Front Panel Kit

Frontplatten-Set
Kit De Plaque Avant



Part No.

Bestell-Nr./Réf.

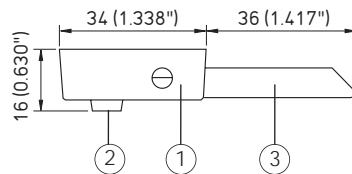
Part No.	Version	A	B	C	D
M 57 00 607	1/1H	33.6 (1.323")	199.5 (7.854")	188 (7.402")	22.3 (0.878")
M 57 00 608	2/2H	65.1 (2.563")	199.5 (7.854")	188 (7.402")	30.8 (1.213")
M 57 00 613	3/3H	65.1 (2.563")	219.5 (8.642")	208 (8.189")	30.8 (1.213")
M 57 00 620	4/4H	100.1 (3.941")	319.5 (12.579")	308 (12.126")	65.8 (2.591")
M 57 00 616	5/5H	130.1 (5.122")	219.5 (8.642")	208 (8.189")	95.8 (3.772")
M 57 00 621	6/6H	130.1 (5.122")	319.5 (12.579")	308 (12.126")	95.8 (3.772")

Front Panel Kit



ABS Case Feet

Gehäusefüße (ABS)
Pieds De Boitier (ABS)



Part No.

Bestell-Nr./Réf.

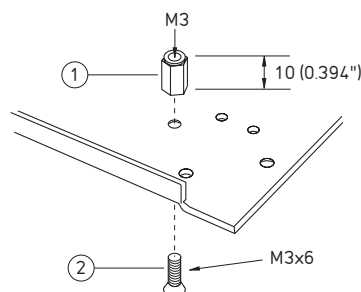
Part No.	Article
M 56 00 015	① x 4 + ② x 4
M 56 00 045	① x 4 + ② x 4 + ③ x 2

ABS Case Feet



PCB Pillars

Leiterkarten Montage-Set
Vis Pour Montage Des Circuit Imprimés



Part No.

Bestell-Nr./Réf.

Part No.	Article
M 56 00 001	① x 10 + ② x 10

PCB Pillars

